

INSTALLATION & USER INSTRUCTIONS

LCD ELECTRIC FIRE

ekofires

Christchurch, Dorset BH23 2BT

Tel: 01202 588 638

Fax: 01202 499 639

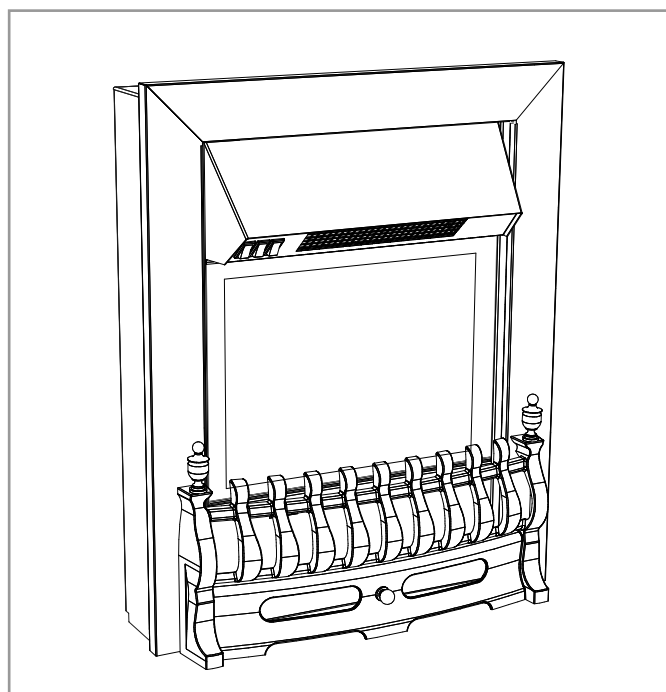
www.ekofires.co.uk

e-mail: sales@ekofires.co.uk

MODELS COVERED BY THESE INSTRUCTIONS

1030 LCD INSET ELECTRIC FIRE

FRET AND FRAME OPTIONS AVAILABLE



MODEL SHOWN : EKO 1030 LCD INSET ELECTRIC FIRE

3 year guarantee

PLEASE NOTE: EKO 1030 ELECTRIC FIRES MAY BE SUPPLIED WITH DIFFERENT FRET & FRAME THAN SHOWN

Please note : Except where otherwise stated, all rights, including copyright in the text, images and layout of this booklet is owned by Focal Point Fires plc. You are not permitted to copy or adapt any of the content without the prior written permission of Focal Point Fires plc.

All instructions must be handed to the user for safekeeping.

Revision B - 01/14

© 2014 Focal Point Fires plc.

Section	Contents	Page No.	Section	Contents	Page No.
1.0	Preliminary Notes	2	7.0	Fitting The Decorative Frame And Front	3
2.0	Appliance Data	2	8.0	Operating The Appliance	4
3.0	Installation Requirements	2	9.0	Safety Cut-Out System	5
4.0	Unpacking The Appliance	3	10.0	Cleaning And Maintenance	5
5.0	Component Checklist	3	11.0	Servicing	5
6.0	Installing The Appliance	3	12.0	Appliance Dimensions	5
			13.0	Guarantee - Terms And Conditions	6

I.0 PRELIMINARY NOTES

The LCD inset electric fire heater provides convected heating in conjunction with a LCD screen which can display a number of different fuel effects and scenes. The appliance is designed for indoor use, and can be simply floor mounted in the majority of floor positions anticipated. It can be located in any household room, with the exception of bathrooms. Read all of the instructions before commencing installation. Retain for future reference and pass on as necessary to subsequent owners of the appliance.

- **DO NOT** use this appliance immediately below a fixed socket outlet.
- **DO NOT** use this appliance in the immediate vicinity of a bath, shower, swimming pool or other area where water/moisture could present a hazard.

• **CAUTION:** This appliance must not be used in conjunction with any timer, programmer or thermal control, or any other device that will switch on the appliance automatically, as a fire risk may occur if the heaters are accidentally covered or displaced.

• **CAUTION:** Some parts of this product can become very hot and cause burns. Particular attention has to be given where children and vulnerable people are present.

• **WARNING:** Children of less than 3 years should be kept away unless continuously supervised. Children aged from 3 years and less than 8 years shall only switch on/off the appliance provided that it has been placed or installed in its intended normal operating position and they have been given supervision or instruction concerning use of the appliance in a safe way and understand the hazards involved. Children aged from 3 years and less than 8 years shall not plug in, regulate and clean the appliance or perform user maintenance.

• **WARNING:** This heater is not equipped with a device to control the room temperature. Do not use this heater in small rooms when they are occupied by persons not capable of leaving the room on their own, unless constant supervision is provided.

Do not allow the heater to be covered as this may cause overheating. The appliance must not be placed near curtains or similar material. A clearance space of at least one metre should be allowed in front of the appliance.

The electrical socket that the appliance uses **MUST** be easily accessible. Do not route the supply cord directly over or above the heater unit. If the cord is damaged, it must be replaced by a service agent or competent person.

This appliance is not intended for use by persons (including children) with reduced physical, sensory or mental capabilities, or lack of experience and knowledge, unless they have been given supervision or instruction concerning use of the appliance by a person responsible for their safety. Children should be supervised to ensure that they do not play with the appliance.

The LCD displays are produced using highly accurate technology, however, black pixels may be found, or red, blue and green pixels may not disappear. This is perfectly normal and within product specification. This should not be regarded as a fault.

2.0 APPLIANCE DATA

Weight (kg):	10 kg
Voltage (Volts):	230-240V a.c. 50Hz
Heating Elements:	2 x 900/1000 Watts
Supply Cord:	2 metres
Supply Plug:	BS 1363, 13A Fused
Location:	Indoor Use
LCD Display:	25 Watts

3.0 INSTALLATION REQUIREMENTS

The appliance is suitable for installation into all proprietary surrounds with an opening of 406mm by 559mm (16" by 22"). The appliance is supplied fitted with 2 spacer frames enabling it to be fitted with no need for a recess into a wall or surround back panel. Each spacer frame has a different depth, and once detached from the frame and fitted individually the mounting depths can be either 75mm or 20mm. Alternatively the appliance can be fully recessed if the opening depth is 100mm or greater and neither spacer is used. It may be installed directly into any proprietary surround which can house this size of rebate, without the need to recess the appliance into a wall opening or fabricate a false chimney breast.

3.0 INSTALLATION REQUIREMENTS - CONTINUED

GB IE

This appliance should be positioned on a firm level surface and in a clean 'dust free' environment. If the fire is to be sited in a fire surround then the suitability of the surround for use with electrical heaters should be established with the fire surround manufacturer.

If fitted into an open draught fireplace, it is advisable to blank off the chimney to reduce the risk of draught through the fire, which may cause the safety cut out system in the fan heater to operate.

DO NOT

- site in a position where curtains or drapes could cover the appliance.
- site in a position where other soft materials could cover e.g. below a coat rack.
- site behind an opening door where mechanical impact/damage could occur.
- site where the supply cable would become a trip hazard.
- sit, stand or forcefully pull on the appliance.
- obstruct, cover or force items into the openings.
- use the heater to dry clothes.
- site/use in an outdoor location(s).
- run the supply cable under carpets .
- Mount on a wall.

4.0 UNPACKING THE APPLIANCE

Read **all** the instructions before continuing to unpack or install this appliance. Carefully remove the appliance from its packaging and lay on the floor with it's back surface downward. Note: **DO NOT** stand the appliance on its frame as this may cause distortion. Check that the remaining packaging contents correlate with the component checklist below. Please dispose of all packaging with care at your local recycling centre.

5.0 COMPONENT CHECKLIST

QUANTITY	DESCRIPTION
1	Heater main body
1	Decorative Frame
1	Decorative Fret with aspan door
1	Remote control handset
1	Mains supply cord
1	Neoprene securing strips
1	Instruction Booklet

6.0 INSTALLING THE APPLIANCE

CAUTION: DO NOT CONNECT THE APPLIANCE TO THE ELECTRICAL SUPPLY AT THIS TIME

The appliance is fitted with 2 spacers, a 75mm spacer and a 20mm spacer.

To remove the spacers. Remove the six screws from the rear spacer located at the rear of the appliance. To remove the front spacer, unscrew the six screws located on the front of the appliance.

To ensure the appliance is positively located into position, it is necessary to secure it in place using the double-sided neoprene strips included in the instruction pack.

Peel off the adhesive backing from one side of each strip and apply to the periphery of the REAR of the appliance frame, as shown in figure 1. Ensure that the strips are not applied any closer than 5mm (1/4") from the edge of the frame, attaching the strips closer may present problems when fitting the decorative trim. Tear off any excess lengths of strip to form a neat border around the frame. Before finally fitting the appliance into its location, remove the remaining strips of adhesive backing, ensure that the mains cable and plug are properly routed, locate the fire into the opening and press firmly around the edge of the frame to allow the strips to adhere to the back panel of the surround.

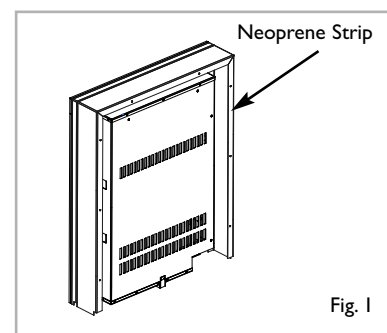


Fig. 1

7.0 FITTING THE DECORATIVE FRAME AND FRONT

The appliance may be supplied with a decorative frame in a variety of finishes.

IMPORTANT : Due to the possibility of sharp edges, care should be taken when handling the frame components. The use of protective gloves is recommended.

Decorative frames : The appliance is supplied either with a one piece or three piece decorative frame.

For one piece frames (dependent on model) : The appliance is supplied with a one piece decorative frame that is attached to the front of the firebox with the magnets provided.

Place the decorative firefront in front of the fire and slide the ashpan door into place. The firefront shown in these instructions may be different to the one supplied with the appliance.

For three piece frames : The side pieces of the clip on assembly should be pushed into position first, followed by the top bar, which overlap the sides.

Cast frame models : Remove the decorative frame from it's protective packaging. The frame is retained onto the firebox with a mounting bracket at the top of the frame and three magnets on each leg of the frame.

Read All Instructions Before Use

Check that the heater outlet grille, mounted at the top of the appliance, is not covered or obstructed in anyway, and ensure the power to the fire is switched on. The power to the LCD display panel and the heater functions are controlled using three switches mounted underneath the hood on the left hand side.

Controlling the heater functions

The first switch towards the top, **marked (OI)**, controls the main power to the appliance and switches on the LCD display panel. This feature can be used independently of the heating features.

The next switch down, with a “single bar” **marked (I)** operates the low heat, (1kW), setting.

The switch at the bottom, with “two single bars” **marked (II)**, operates the high heat, (2kW) setting.

To operate the fire in any of the above modes, the top switch **marked (OI)** must be switched to the “on” position.

Controlling the LCD display panel

LCD on/off control: The LCD display may be switched on and off independently of the heater functions by using the LCD on/off button as shown in figure 11.

Scene select buttons: The appliance is pre-programmed with nine different scenes as shown in figures 2 through 10. These scenes have been specially edited to run in a seamless loop. When the appliance is switched on, the log fire scene will automatically run. To select a different scene press the appropriate scene select button to choose the desired scene. During normal operation the footage may occasionally be seen to ‘freeze’ for a fraction of a second. This happens as the scene is recycled to loop again. This is perfectly normal and should be no cause for concern.

Volume up, down and mute button: Some of the LCD scenes include sound effects. These buttons raise and lower the volume. The Mute button mutes the speakers. While the speakers are muted, a symbol will be displayed on screen. Press again to de-activate.

The appliance can be switched off at any time, irrespective of the particular mode selected, by simply switching the first switch marked (OI) to the “off” position. It is also recommended to unplug the power supply cable at the supply outlet when not in use.

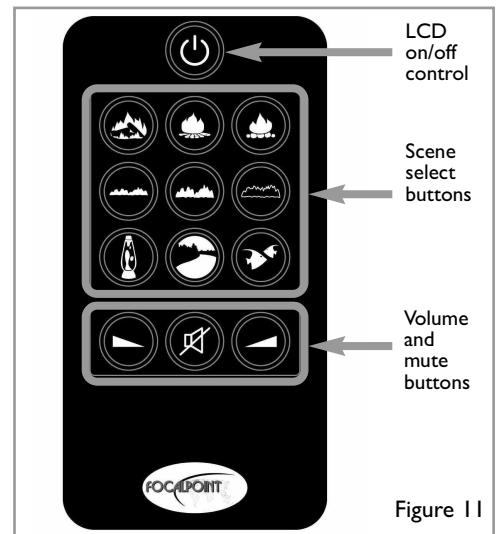
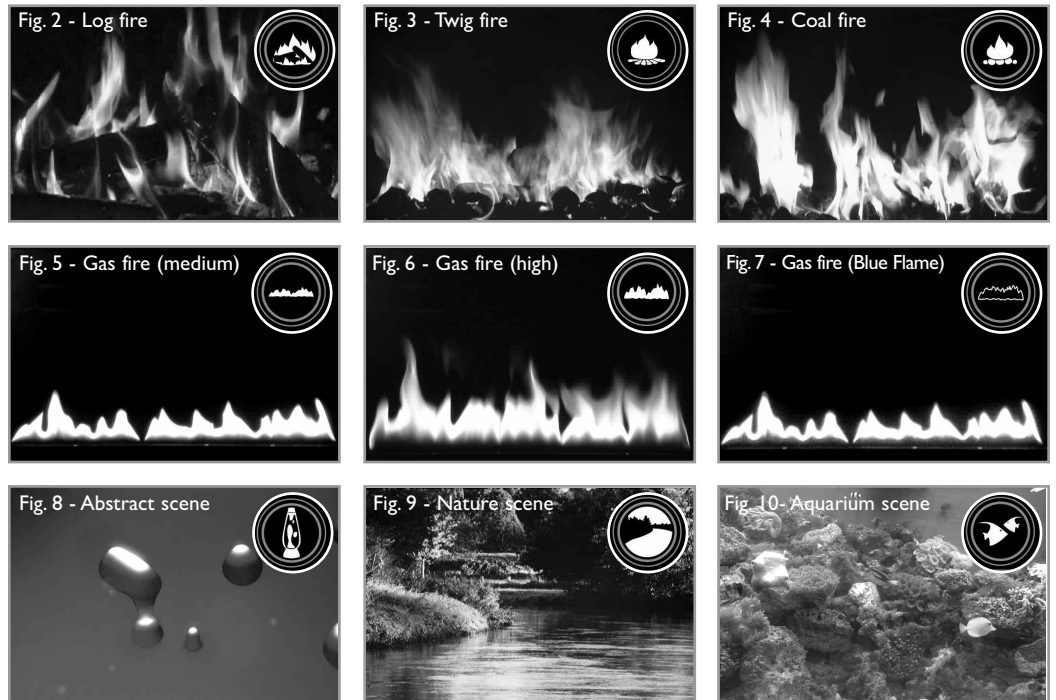


Figure 11

9.0 SAFETY CUT-OUT SYSTEM

GB IE

This appliance has a safety cut-out system fitted which will activate if the air inlets or heater outlets are obstructed. For safety reasons the fire **WILL NOT** switch on again automatically.

NOTE: The LCD display panel will remain operational if the cut-out is activated, only the fan heater elements are prevented from operating.

The following procedure must be carried out before the fire can be operated again:

1. Unplug the power supply cable **at the outlet socket and place all switches to off at the appliance.**
2. Leave the fire OFF for a period of not less than 10 minutes, ensuring any obstructions are removed.
3. Plug in the power supply cable **at the outlet socket, and then switch on at the appliance.**

If the appliance fails to operate correctly, repeat the above procedure. If an attempt to switch on is made before the safety cut-out has reset, the heaters may cut-out for a further period of time. If the sequence has been followed correctly and the heaters still fail to function, check the power supply cable plug is plugged in at the outlet socket. If this is not the cause, call an electrician.

10.0 CLEANING AND MAINTENANCE

ALWAYS DISCONNECT THE APPLIANCE AT THE SUPPLY OUTLET SOCKET BEFORE UNDERTAKING ANY CLEANING.

Except for periodic cleaning of dust, there are no specific requirements for care, other than regular cleaning of the general appliance. A wipe with a dry cloth is normally sufficient. **DO NOT** use abrasive cleaners as they can damage the finish. Make sure the heater outlet grille (located next to the switches), and the air inlet mesh grilles are kept clear of dust, pet hair and other airborne household matter. These should be vacuum cleaned periodically using a brush attachment.

GLASS SCREEN - This should only be cleaned using a suitable glass cleaner. Test on a small area first.

There are no internal user serviceable parts.

Check security of supply cable and connections. If the supply cable becomes damaged, it must be replaced by a service agent or competent person, such as a qualified electrician.

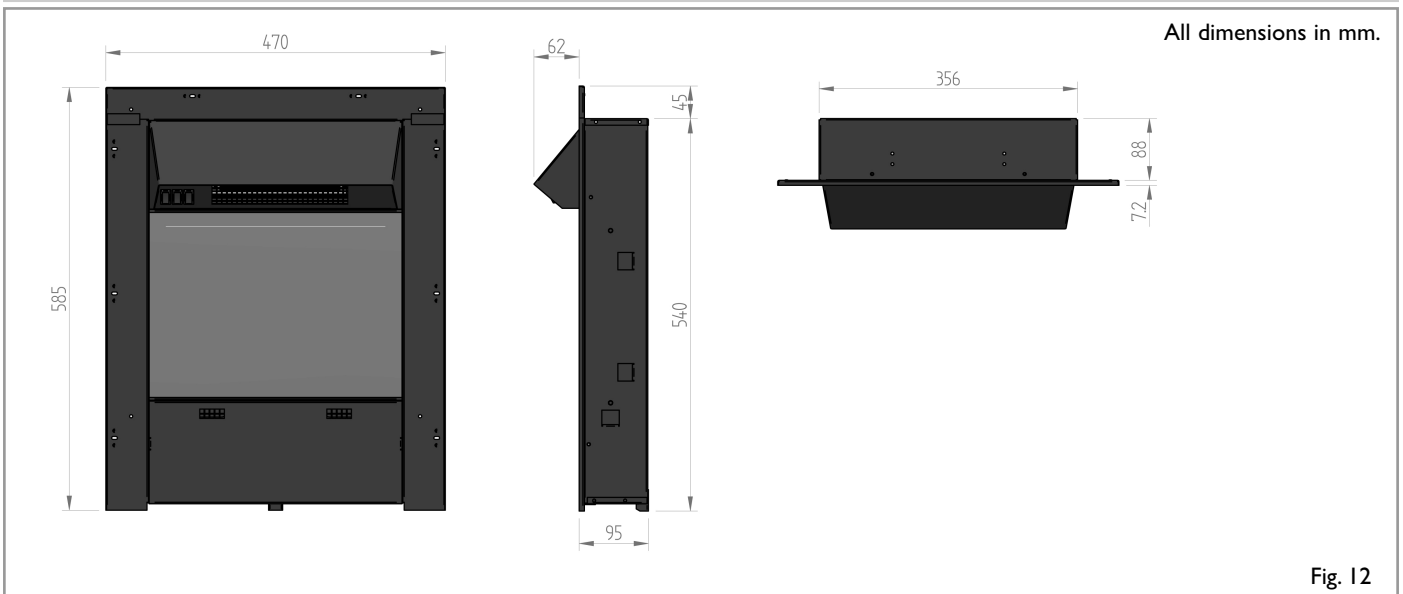
11.0 SERVICING

The wires in the cable are coloured in accordance with the following code:

LIVE	- Brown
NEUTRAL	- Blue
EARTH	- Green/Yellow

Refer to Section 2.0, Appliance Data for fuse specification. Excluding fuses, use only genuine manufacturers spare parts available from your supplier.

12.0 APPLIANCE DIMENSIONS



The 3 year guarantee only covers products purchased on or after 1st February 2009. For all gas fires purchased the 3 year guarantee commences from the date of purchase, provided that the following 3 terms and conditions are adhered to:

Registration is not required.

1. For any claim to be made within the 3 years from date of purchase you will be required to provide and supply us with your proof of purchase.
2. Your gas fire must have been commissioned by a CORGI/Gas Safe* registered installer, evidence of which you must provide together with the CORGI/Gas Safe* registration number.
3. Your appliance must have been serviced annually, irrespective of use, by a CORGI/Gas Safe* registered installer, evidence of which must be provided, such as the receipt.

Please note all consumable items such as any ceramics including; coals, pebbles, the matrix, front strips, side cheeks, rear panels and tapered rear panels are not covered by the 3 year guarantee. For all Electric fires purchased the 3 year guarantee commences from the date of purchase, providing that you can supply the proof of purchase. This does not cover consumable items such as pebbles, coals or light bulbs.

Making a claim is easy.

If you wish to make a claim under our 3 year guarantee and all the terms and conditions for your product have been met then please submit the following information for the attention of the 3G Service Department to the address below. Alternatively, you can email or fax. Please note that this does not affect your statutory rights.

Eko Fires Ltd, 3G Service Department, Reid Street, Christchurch, Dorset, BH23 2BT.
Alternatively email: service@ekofires.co.uk or fax. 01202 499326.

Details required:

1. Name, full address including post code and contact telephone number.
2. Receipt of purchase or credit card statement.
3. Original installers CORGI/Gas Safe* registration number (gas fires only).
4. Annual service receipt for every 12 months (gas fires only).

*Gas Safe Register replaced CORGI as the gas registration body in Great Britain and the Isle of Man on 1st April 2009.



Waste electrical products should not be disposed of with household waste. Please recycle where facilities exist. Check with your local authority or retailer for recycling advice. As our policy is one of continuous improvement and development, we therefore hope that you will understand we must retain the right to amend details and/or specifications without prior notice.